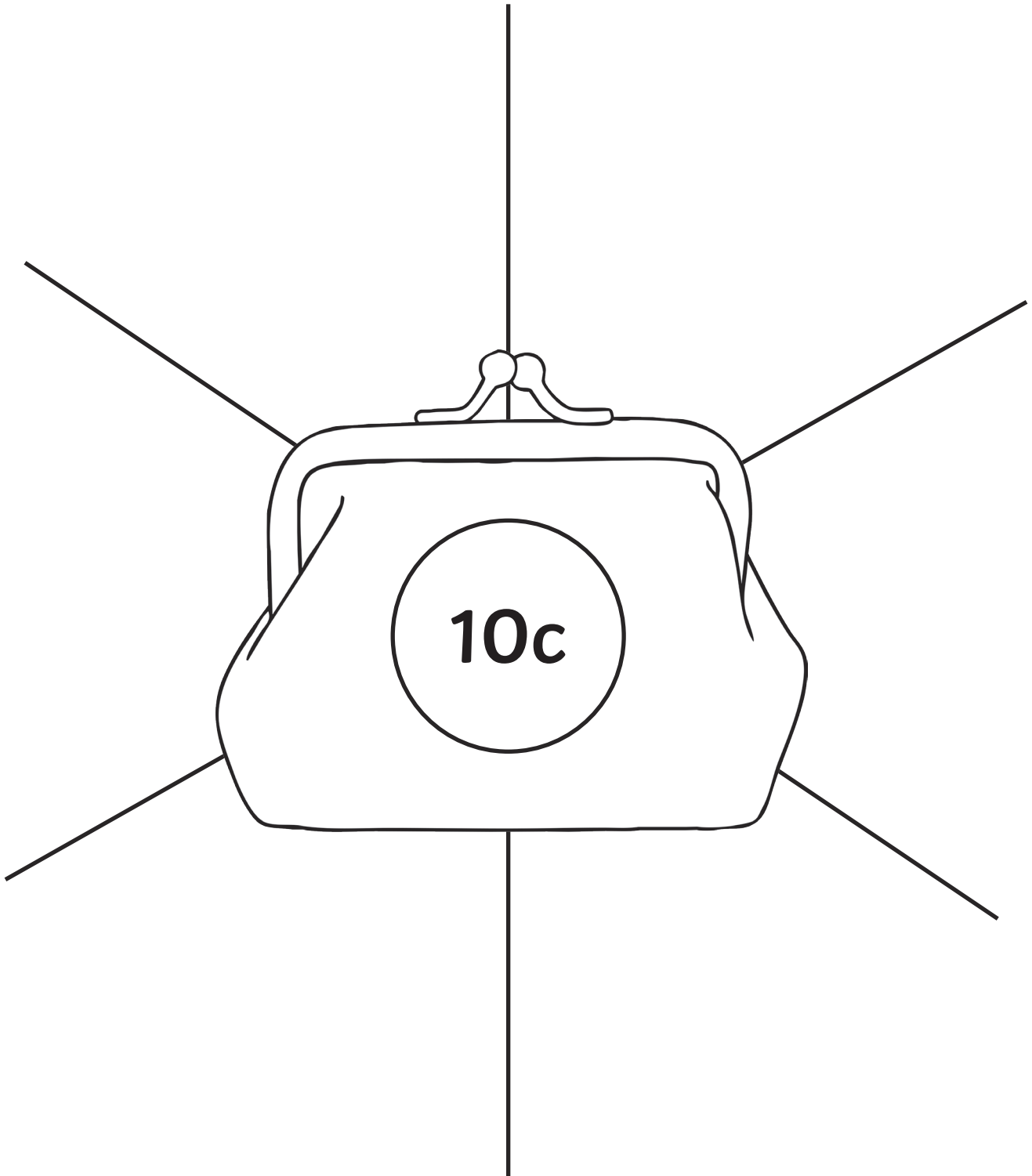


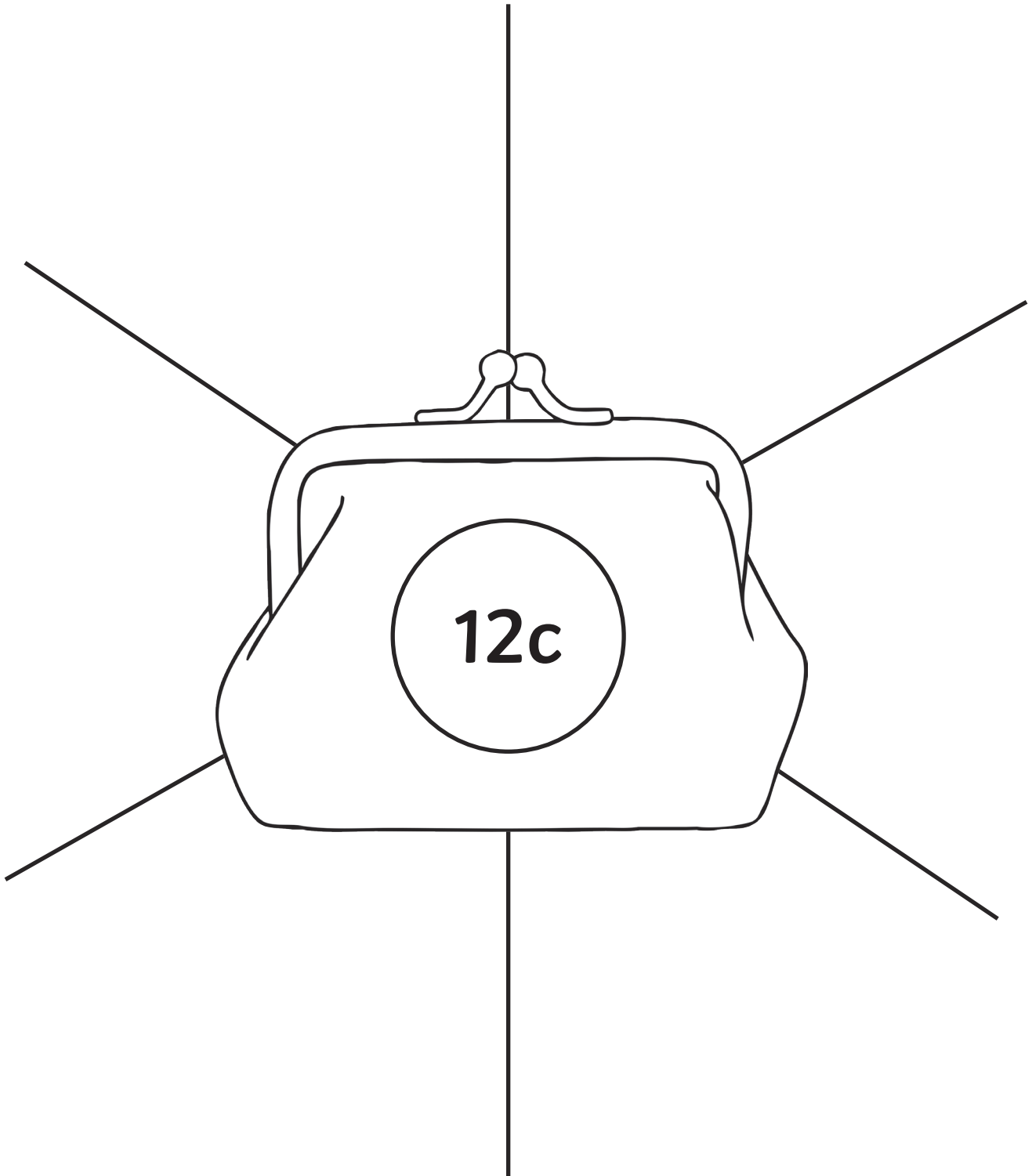
Show Me the Money Euro

Can you find different ways to make the same amount as the money in the purse?



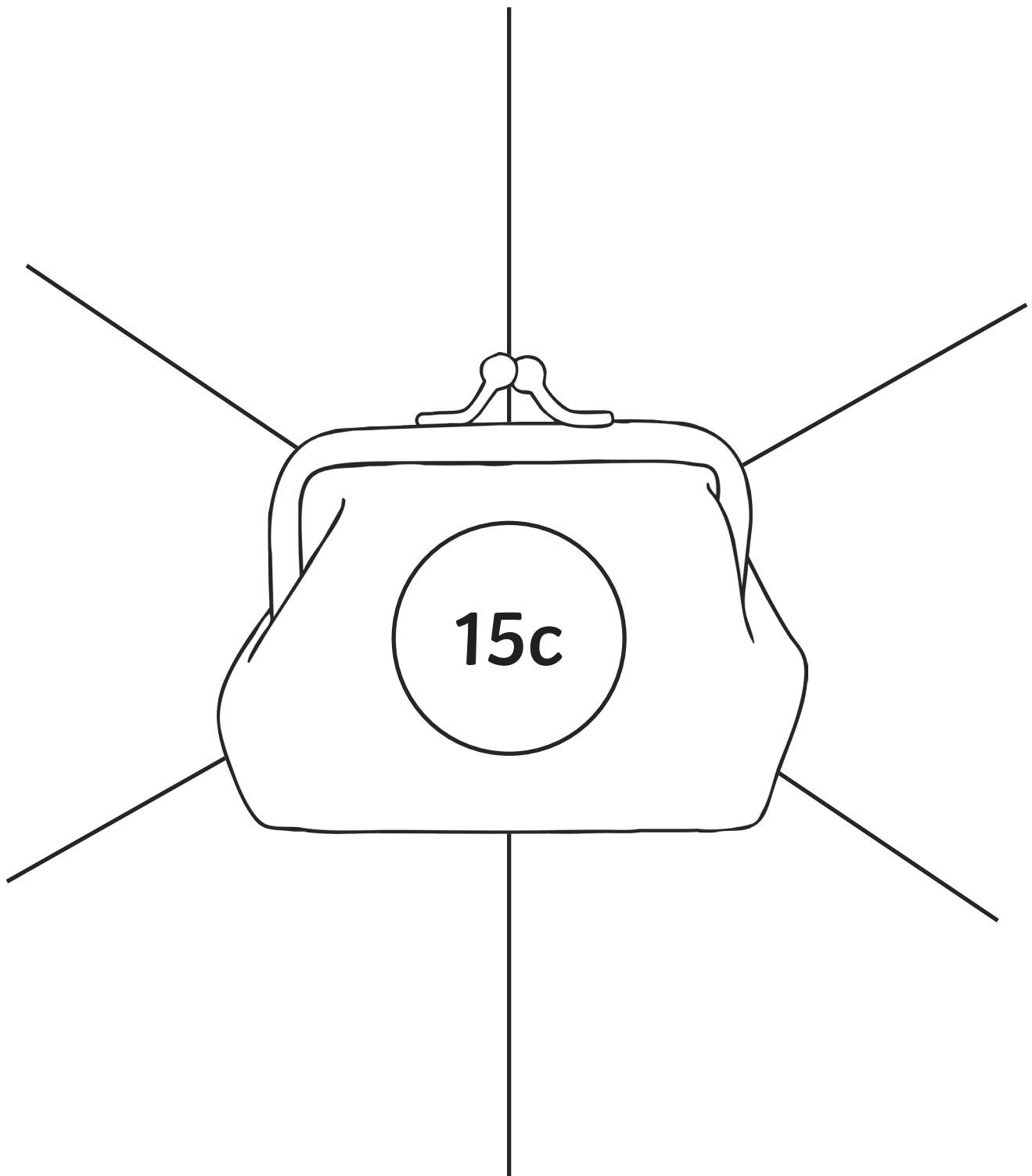
Show Me the Money Euro

Can you find different ways to make the same amount as the money in the purse?



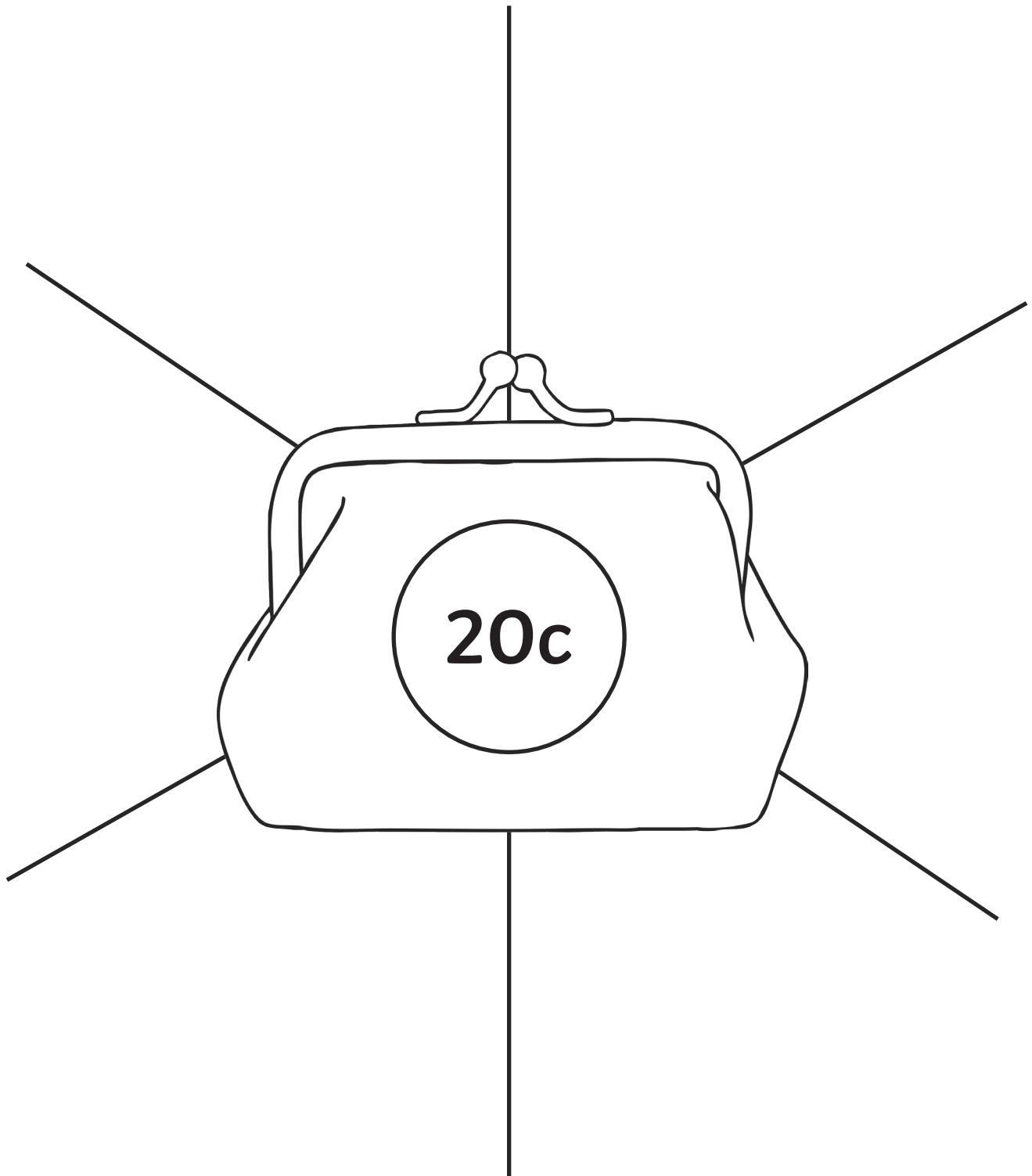
Show Me the Money Euro

Can you find different ways to make the same amount as the money in the purse?



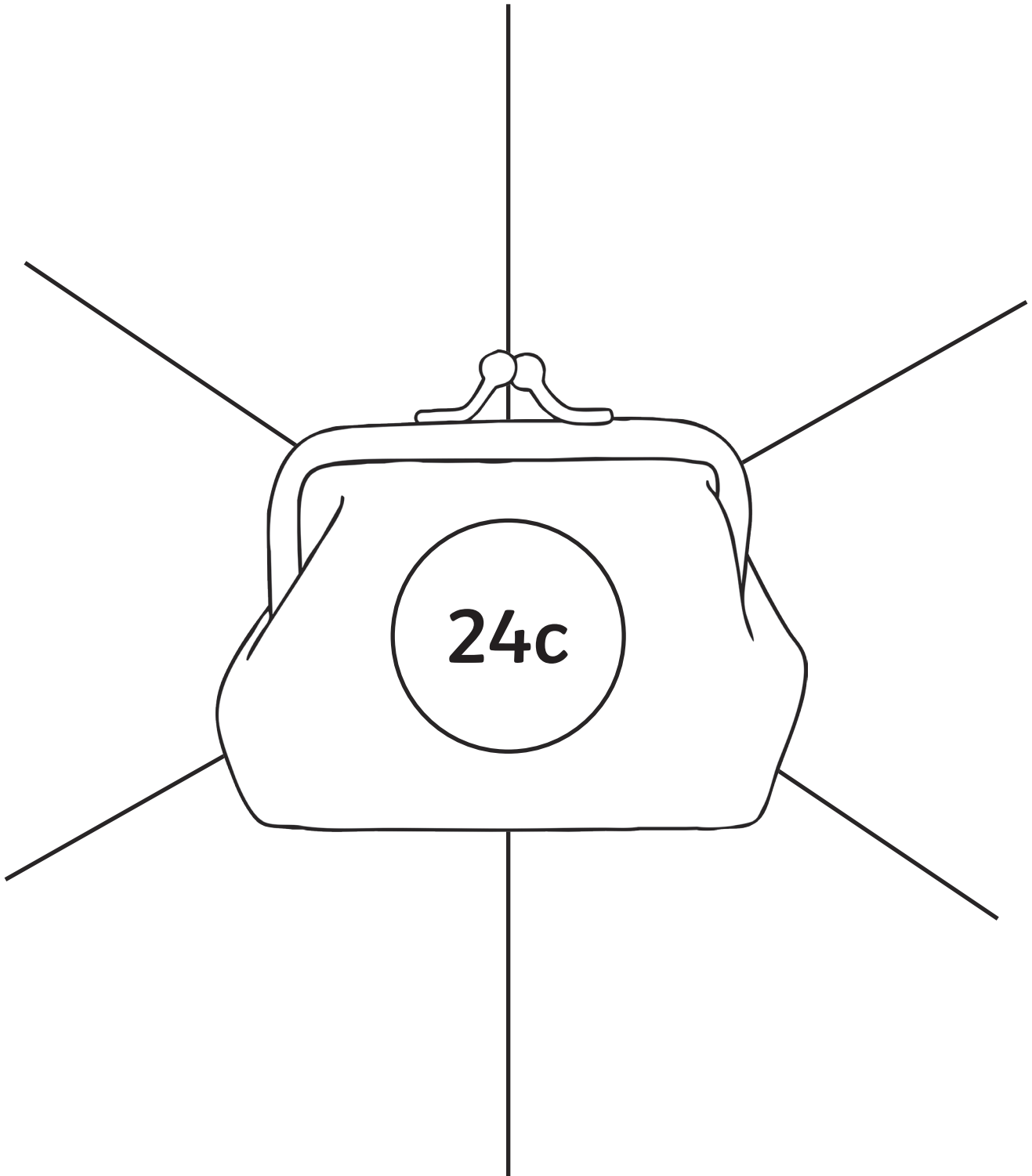
Show Me the Money Euro

Can you find different ways to make the same amount as the money in the purse?



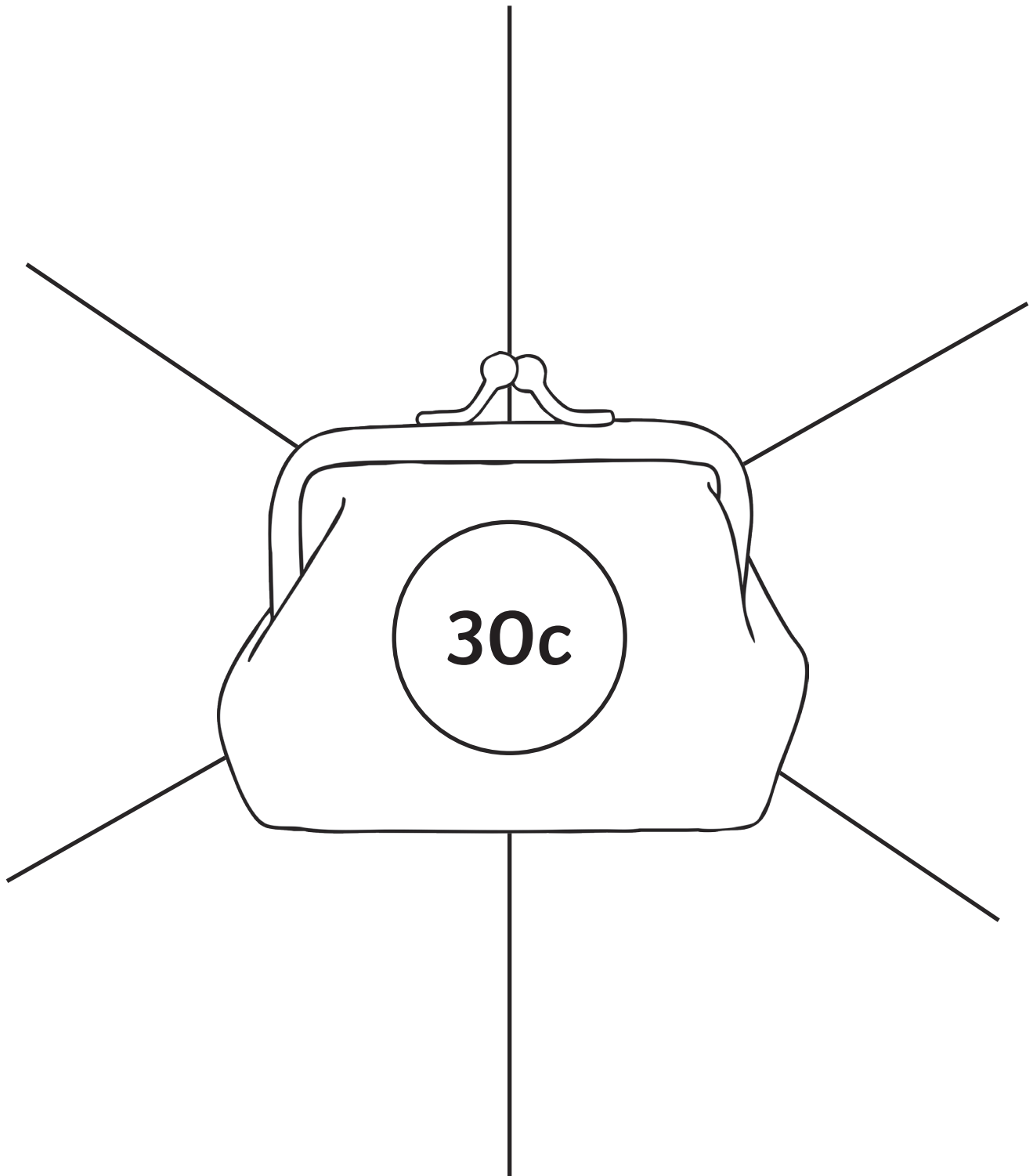
Show Me the Money Euro

Can you find different ways to make the same amount as the money in the purse?



Show Me the Money Euro

Can you find different ways to make the same amount as the money in the purse?



Show Me the Money Euro

Cut out these coins to help with the task.

